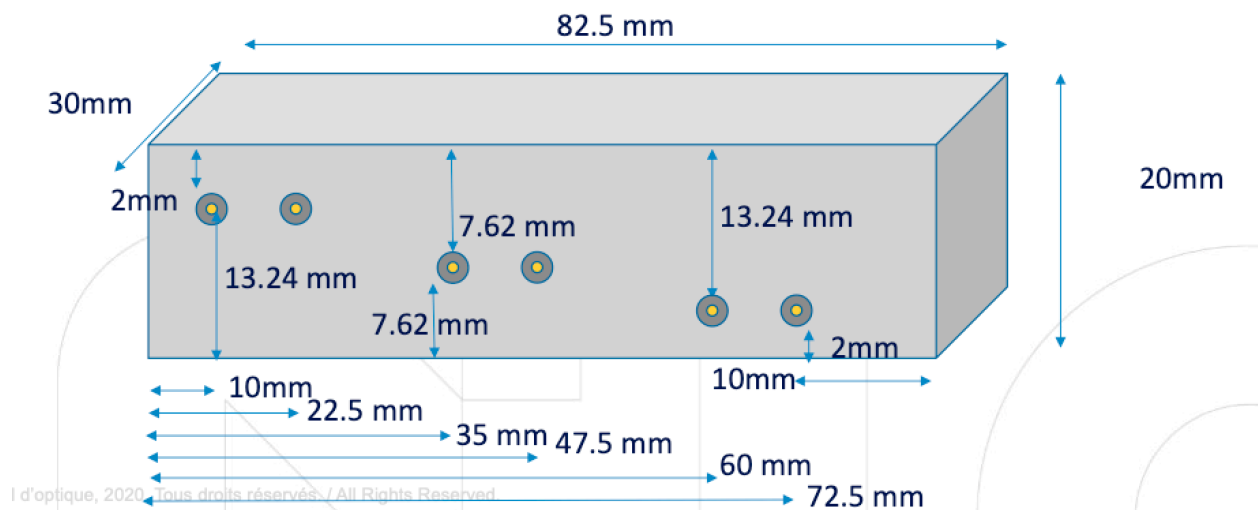


CERTIFICATE OF ANALYSIS

Product:	The VIS-NIR phantom is custom made by INO in Quebec city using their proprietary BIOMIMIC™ platform based on a finely tuned additive manufacturing process of industrial-grade polyurethane materials. The μ_s' and μ_a of the standard phantom is 1.0 mm ⁻¹ and $\mu_a = 0,01$ mm ⁻¹ at 800 nm respectively with different properties available upon request.
Trade name:	Fenestra™ HDVC
Target μ_s' :	1.0 mm ⁻¹
Target μ_a :	0.01 mm ⁻¹
Accessory tube ID:	1/8"
Accessory tube OD:	3/16"
Dimensions:	



Characterization Report:


 Characterization
report


Sample ID : B0455

Characterization date : 08-Jan-2018	Target optical prop. :
Operator : SL	$\mu_{a0} : 0.1 \text{ cm}^{-1}$
Analysis wavelength : 800 nm	$\mu'_{s0} : 10 \text{ cm}^{-1}$
Sample Thickness : 2 cm	Fit results :
Refractive index used : 1.5111	$\mu_a : 0.101 \text{ cm}^{-1}$
Time Scale : 50 ns	$\mu'_s : 10.4 \text{ cm}^{-1}$

